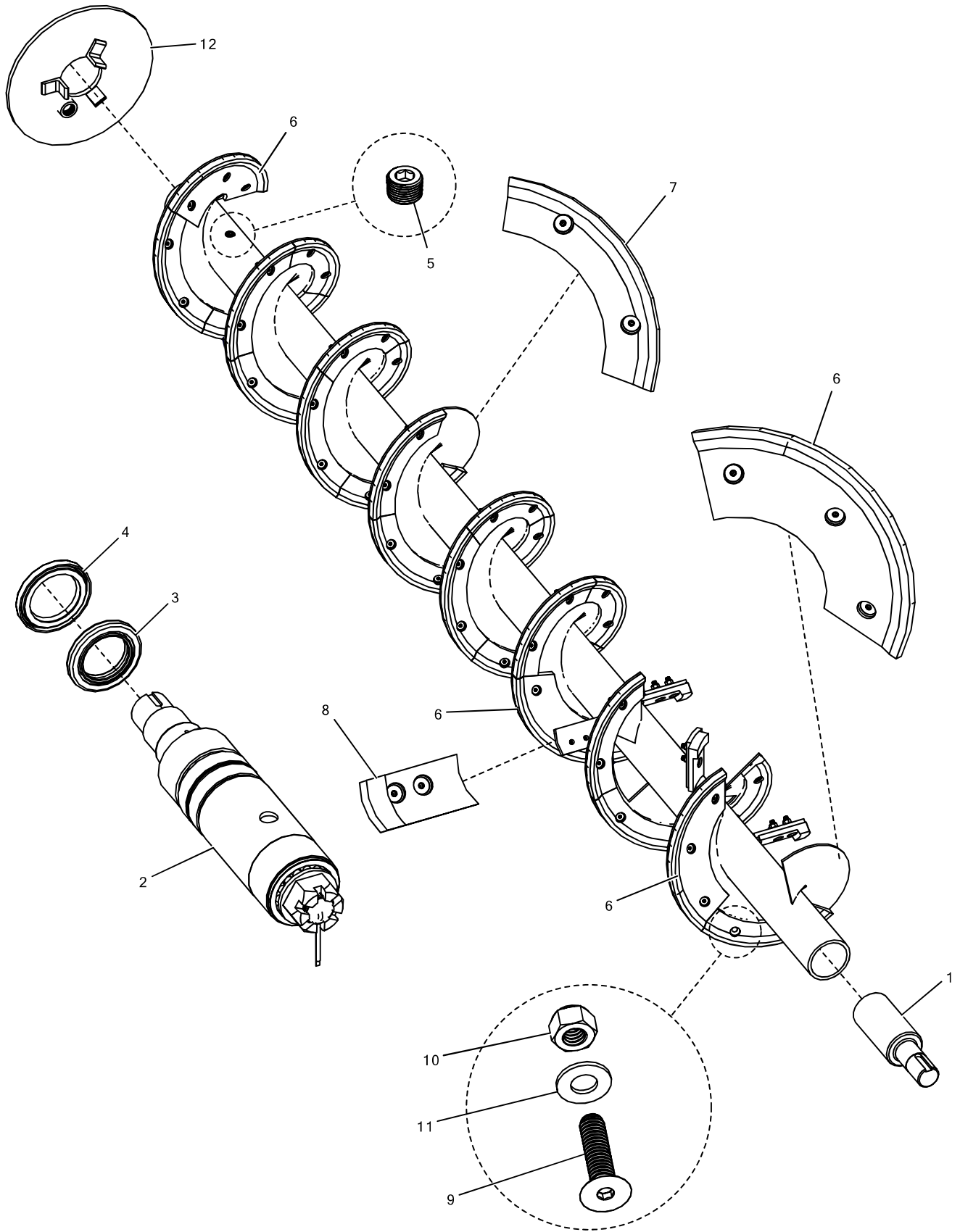
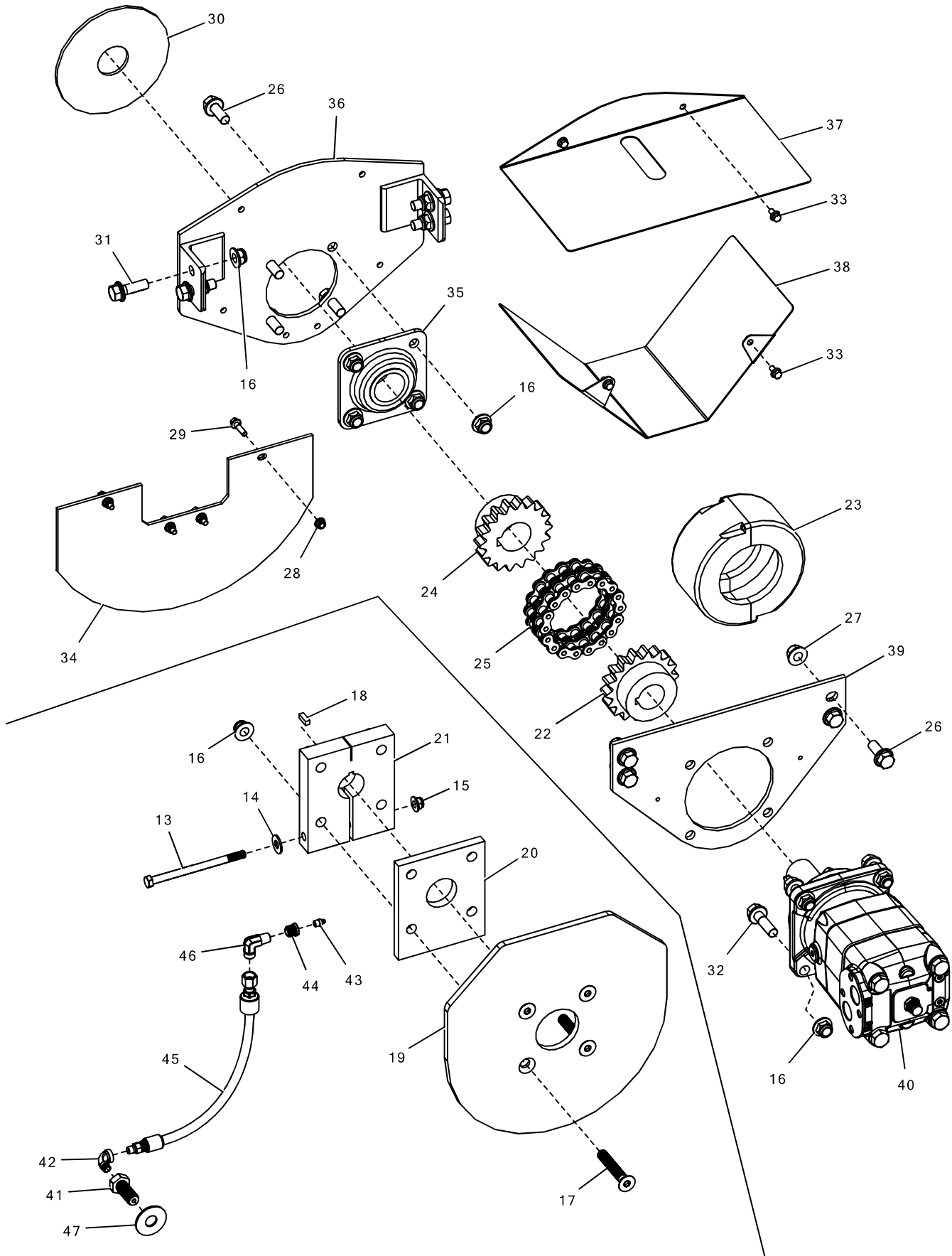


4.2.1.1 – C60 – MIXER AUGER, IDLER, AND DRIVE ENDS



4.2.1.1 – C60 – MIXER AUGER, IDLER, AND DRIVE ENDS



4.2.1.1 – C60 – MIXER AUGER, IDLER, AND DRIVE ENDS

Item	Description	Part Number	Quantity	
			C60	C60E
1	DRIVE SHAFT, WELD ON	1562-026-01	1	1
2	IBS SHAFT	2050-452-00	1	1
3	IBS SEAL, INNER	5160-232	1	1
4	IBS SEAL, OUTER	5160-232001	1	1
5	PLUG	5005-123	3	3
6	WEAR PLATE, 3 HOLE	0234-001	4	4
7	WEAR PLATE, 2 HOLE	0234-002	22	22
8	WEAR PLATE, PADDLE	0234-003	5	5
9	BOLT	5320-110	66	66
10	LOCK NUT	5302-118	66	66
11	WASHER	5311-100	66	66
12	WEAR PLATE & ANGLE, WELD ON	1562-283-00	1	1
13	BOLT	5315-237-000	1	1
14	WASHER	5310-200	1	1
15	FLANGE LOCK NUT	5307-216-000	1	1
16	FLANGE LOCK NUT	5307-413-000	16	16
17	BOLT	5330-424-000	4	4
18	KEYSTOCK	5375-002-00075	1	1
19	END PLATE	2050-039-00	1	1
20	IBS SEAL BLOCK	2050-043-00	1	1
21	IBS BACK PLATE	2050-042-00	1	1
22	COUPLING HUB, 1 1/2"	5195-332	1	1
23	CHAIN COVER	5195-308	1	1
24	COUPLING HUB, 1 3/4"	5195-336	1	1
25	CHAIN COUPLING	5195-320	1	1
26	FLANGE BOLT	5309-410-000	8	8
27	FLANGE LOCK NUT	5307-413-002	4	4
28	FLANGE LOCK NUT	5307-020-000	4	4
29	FLANGE BOLT	5309-008-000	4	4
30	SLINGER	1731-035	1	1
31	FLANGE BOLT	5309-412-000	4	4
32	FLANGE BOLT	5309-414-000	4	4
33	FLANGE BOLT	5309-004-000	4	4
34	DISCHARGE FLAP	1752-006-01	1	1
35	BEARING	5150-628	1	1
36	BEARING MOUNT	2542-204-01	1	1
37	TOP COVER	2542-074-03	1	1
38	BOTTOM COVER	2542-075-03	1	1
39	MOTOR MOUNT	2542-084-03	1	1
40	MOTOR	5233-700-000	1	1
41	BOLT	2542-031-04	1	1
42	ELBOW	5003-100.10	1	1
43	GREASE ZERK	5372-001	1	1
44	REDUCER	5010-112.10	1	1
45	HYD HOSE ASSY	2542-544-00	1	1
46	ELBOW	5223-044-001	1	1
47	WASHER	5310-600	1	1