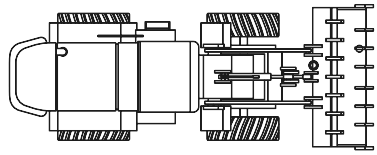
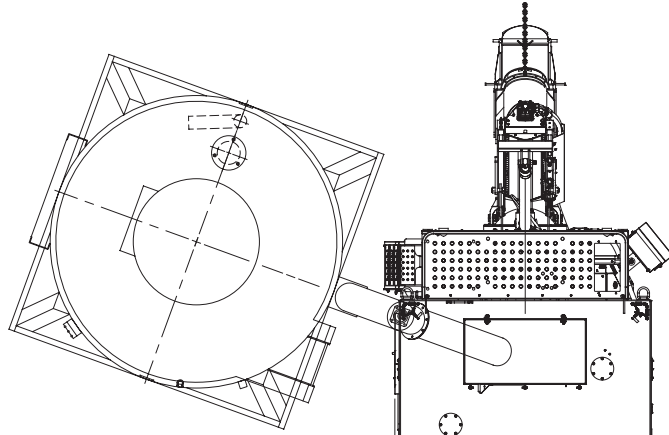


Rock

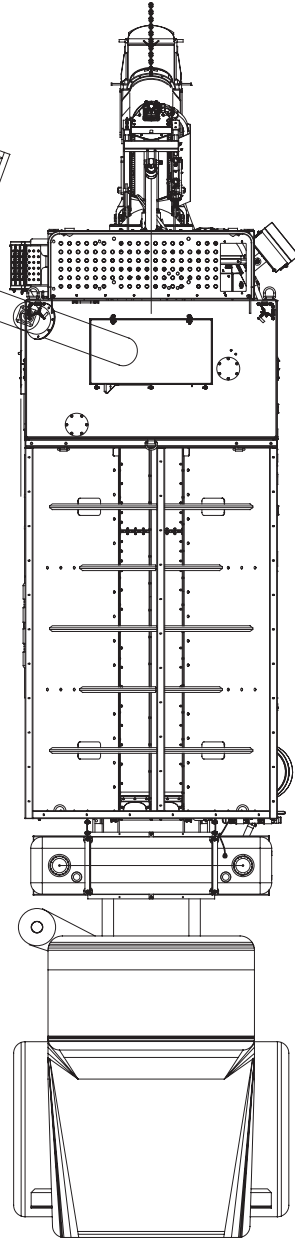
Sand



Ramp



Admix

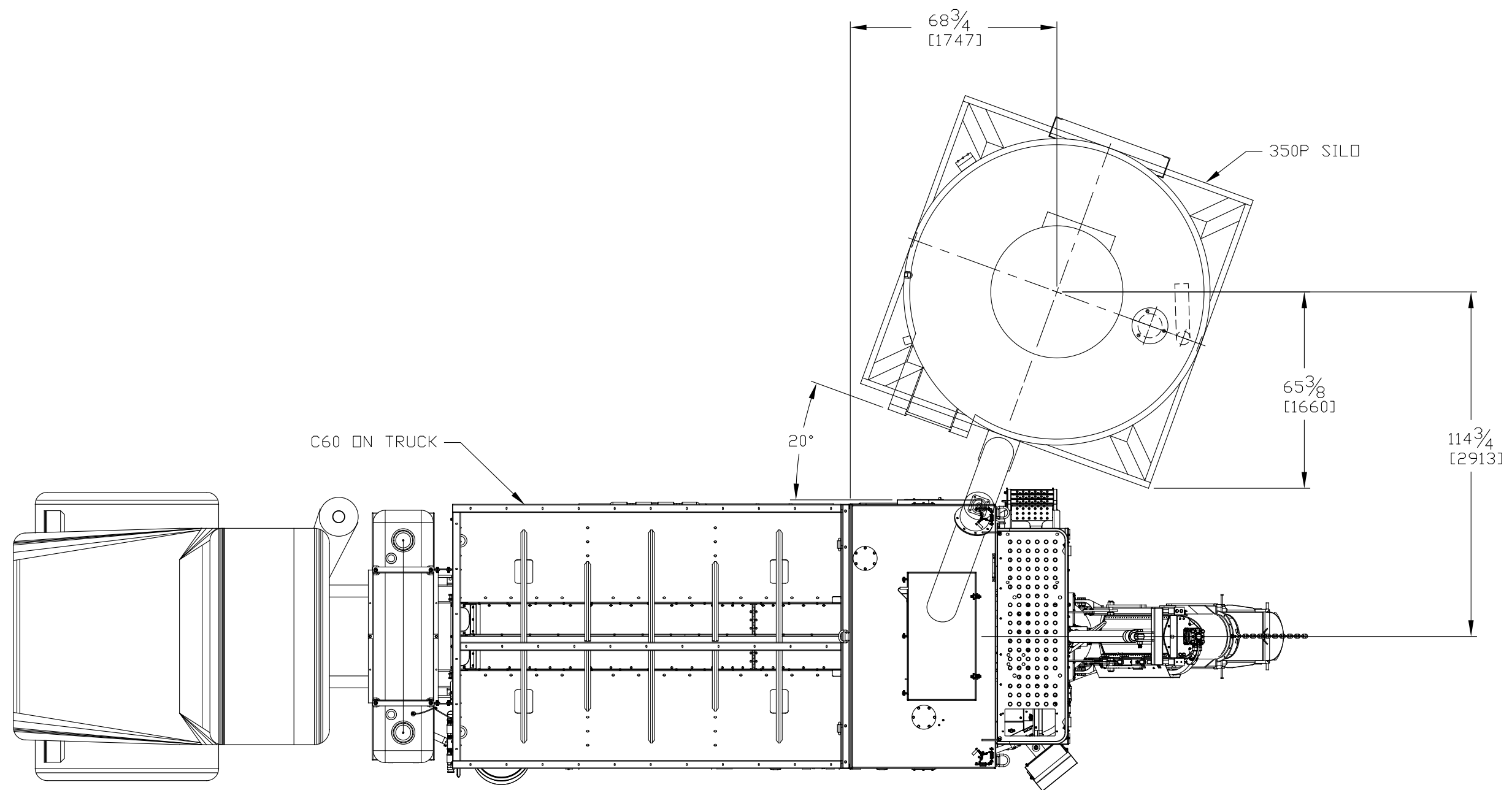


Ramp



Water

| REV | DRAWING CHANGE RECORD | DATE & INITIAL |
|-----|---|----------------|
| N/C | FIRST RELEASE PER CONTRACT No. _____ | -/-/- |
| A | REMOVED SILO LADDER CAGE, MOVED SILO CLOSER | 03/08/22 JBM |
| B | | -/-/- |



"APPROVED FOR CONSTRUCTION"
 APPROVED BY: _____
 DATE: _____

UNLESS OTHERWISE NOTED ALL DIMENSIONS ARE IN X"-X"
 TOLERANCES ARE:
 MACHINING .XX = ±.010 X/X = ±1/32"
 FABRICATION .XXX = ±.005 X' = ±1"
 BREAK ALL SHARP EDGES
 DEBURR ALL HOLES



| | | |
|-----------------|---------------|--------------------|
| SCALE N/A | APPROVED BY: | DRAWN BY MAW |
| DATE: 5/01/2018 | WORK STATION: | REVISED 03/08/2022 |

| | | |
|---------------------------|----------------|---------|
| C60 with 350P Silo at 70° | | |
| USED IN: | DRAWING NUMBER | REV LTR |
| C60 | - | A |