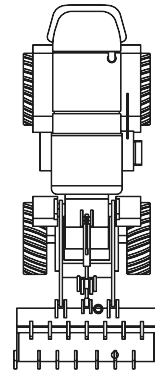
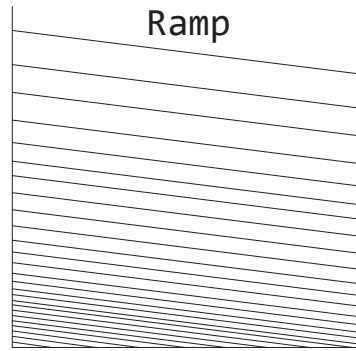


Rock

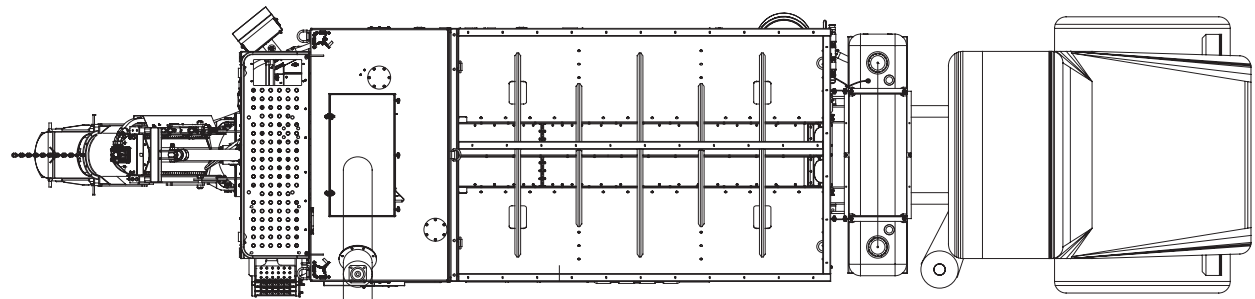
Sand



Ramp

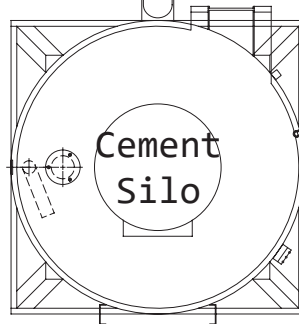


Water

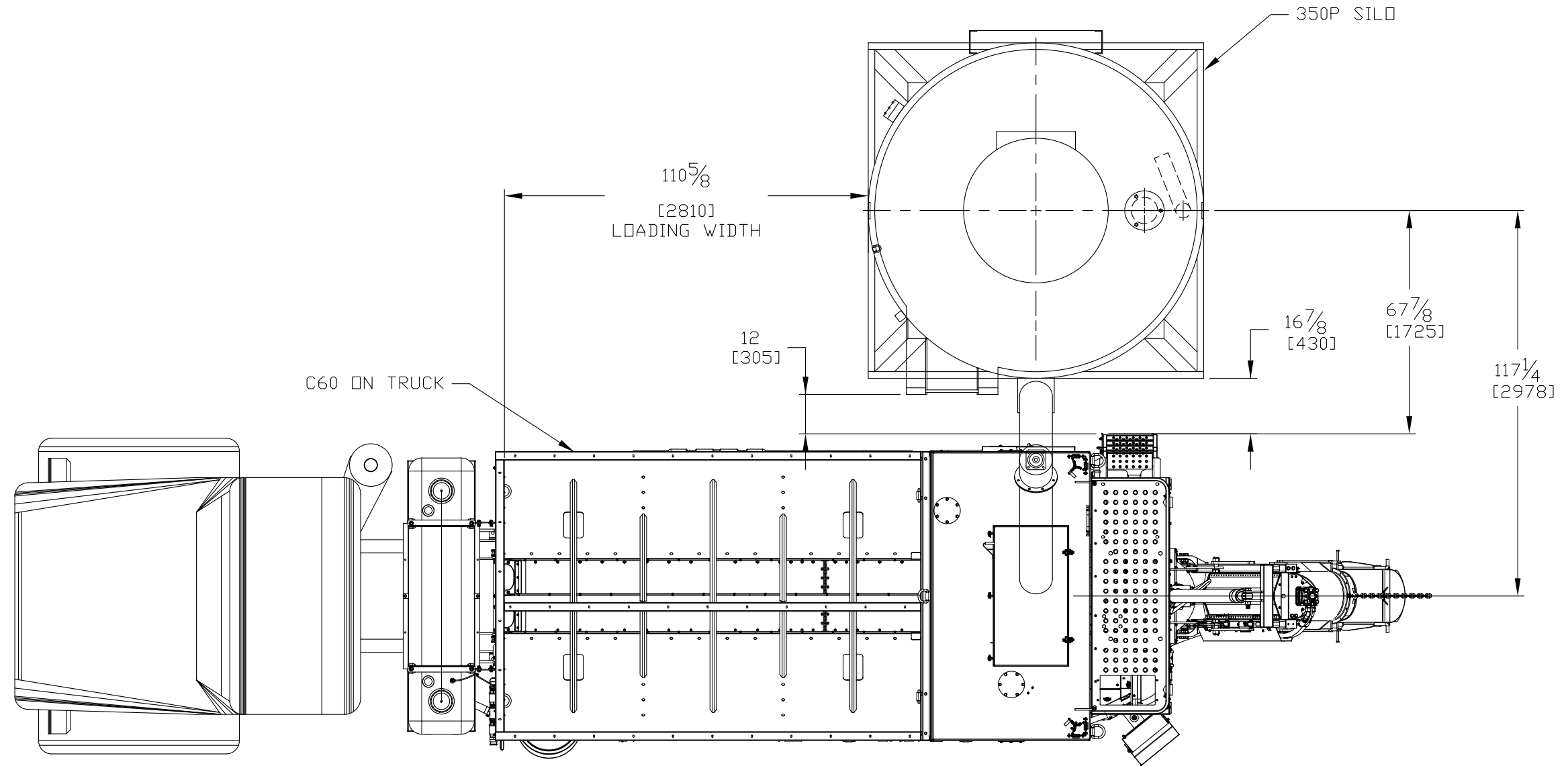


Admix

Cement
Silo



REV	DRAWING CHANGE RECORD	DATE & INITIAL
N/C	FIRST RELEASE PER CONTRACT No. _____	-/-/-
A	REMOVED SILO LADDER CAGE, MOVED SILO CLOSER	03/08/22 JBM
B		-/-/-



"APPROVED FOR CONSTRUCTION"

APPROVED BY: _____

DATE: _____

UNLESS OTHERWISE NOTED ALL DIMENSIONS ARE IN X'-X" TOLERANCES ARE:

MACHINING .XX = ±.010 .XXX = ±.005
 FABRICATION X/X = ±1/32" X' = ±1"

BREAK ALL SHARP EDGES
 DEBURR ALL HOLES

THIS DRAWING IS THE PROPERTY OF MULTI-TECH, INC. IT IS LOANED UPON THE EXPRESSED CONDITION THAT IT SHALL NOT BE REPRODUCED IN ANY MANNER, NOR SUBMITTED TO OTHERS FOR EXAMINATION WITHOUT THE VERBAL OR WRITTEN CONSENT OF THIS COMPANY. THAT IT SHALL NOT BE USED IN ANY MANNER DETRIMENTAL TO THE INTEREST OF MULTI-TECH, INC. AND SHALL BE RETURNED UPON DEMAND. THIS DRAWING MAY CONTAIN COPYRIGHTED MATERIAL.



SCALE: N/A	APPROVED BY:	DRAWN BY: MAW
DATE: 10/03/2018	WORK STATION:	REVISED 03/08/2022
C60 with 350P Silo		
USED IN: C60	DRAWING NUMBER: -	REV LTR: A