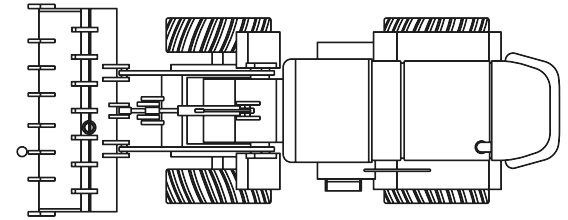


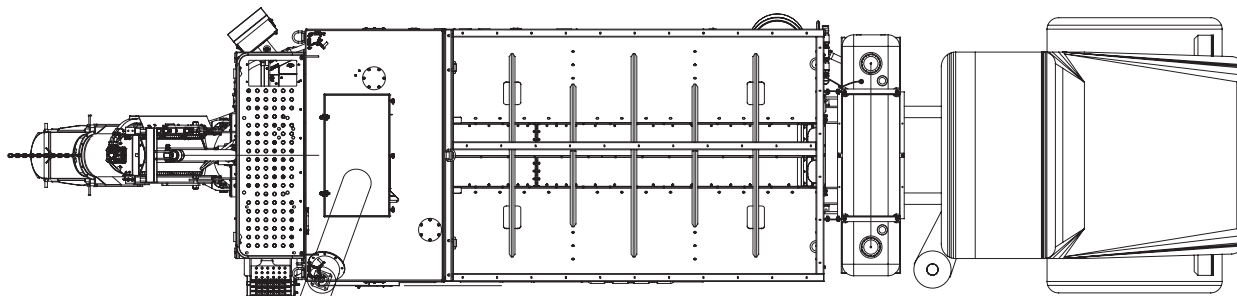
Rock

Sand

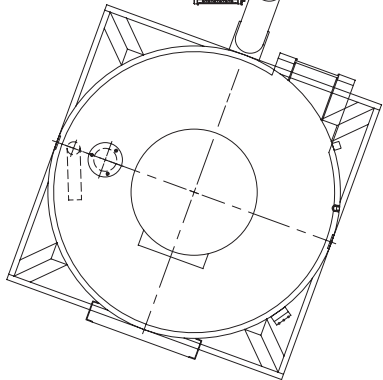
Aggregate Pile  
Storage



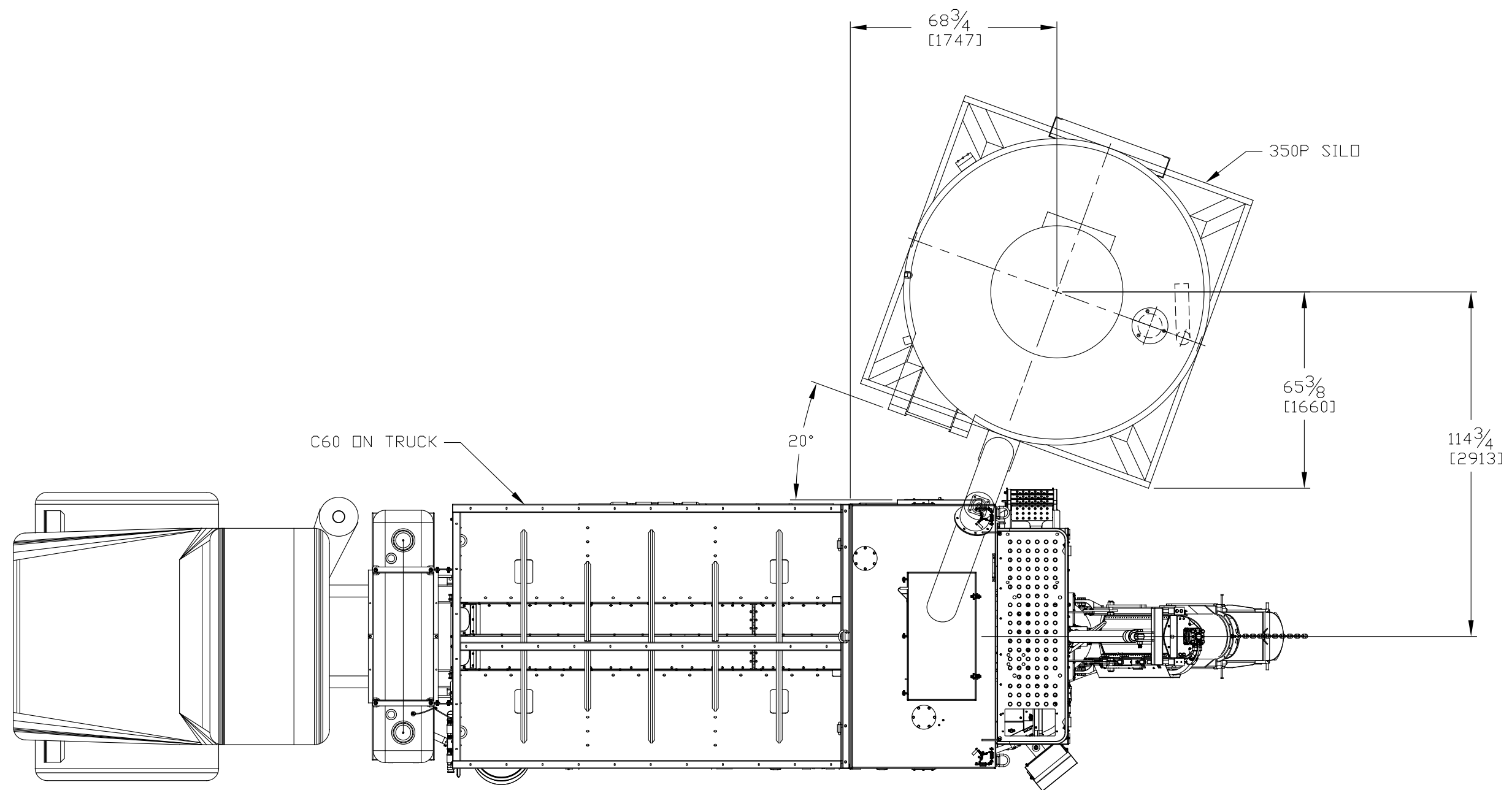
Water



Admix



| REV | DRAWING CHANGE RECORD                       | DATE & INITIAL |
|-----|---|----------------|
| N/C | FIRST RELEASE PER CONTRACT No. _____        | -/-/-          |
| A   | REMOVED SILO LADDER CAGE, MOVED SILO CLOSER | 03/08/22 JBM   |
| B   |   | -/-/-          |



"APPROVED FOR CONSTRUCTION"

APPROVED BY: \_\_\_\_\_

DATE: \_\_\_\_\_

UNLESS OTHERWISE NOTED ALL DIMENSIONS ARE IN X"-X" TOLERANCES ARE:

MACHINING .XX = ±.010 .XXX = ±.005  
 FABRICATION X/X = ±1/32" X" = ±1"

BREAK ALL SHARP EDGES  
 DEBURR ALL HOLES

THIS DRAWING IS THE PROPERTY OF MULTI-TECH, INC. IT IS LOANED UPON THE EXPRESSED CONDITION THAT IT SHALL NOT BE REPRODUCED IN ANY MANNER, NOR SUBMITTED TO OTHERS FOR EXAMINATION WITHOUT THE VERBAL OR WRITTEN CONSENT OF THIS COMPANY. THAT IT SHALL NOT BE USED IN ANY MANNER DETRIMENTAL TO THE INTEREST OF MULTI-TECH, INC. AND SHALL BE RETURNED UPON DEMAND. THIS DRAWING MAY CONTAIN COPYRIGHTED MATERIAL.



|                           |                   |                    |
|---------------------------|-------------------|--------------------|
| SCALE: N/A                | APPROVED BY:      | DRAWN BY: MAW      |
| DATE: 5/01/2018           | WORK STATION:     | REVISED 03/08/2022 |
| C60 with 350P Silo at 70° |                   |                    |
| USED IN: C60              | DRAWING NUMBER: - | REV LTR: A         |