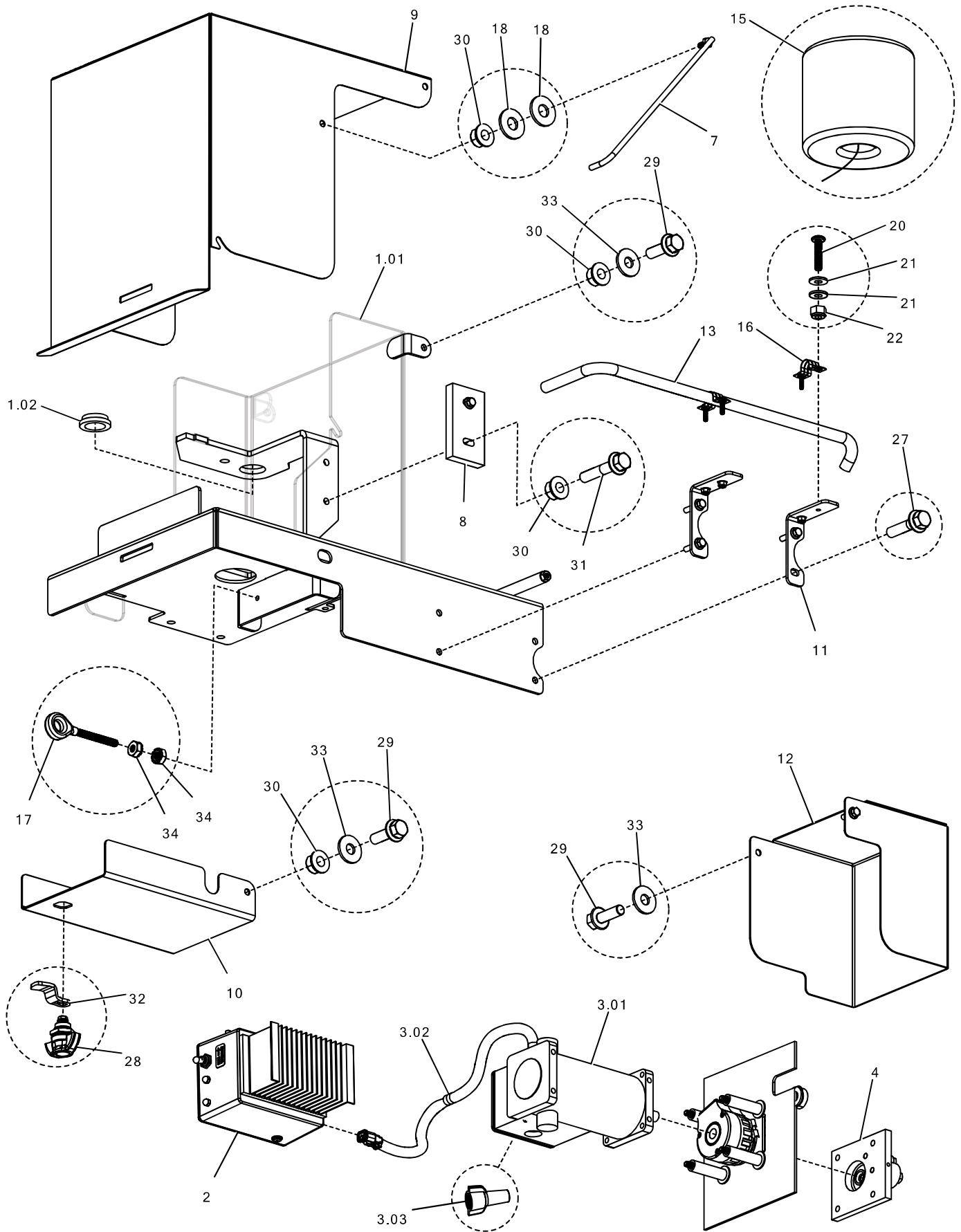
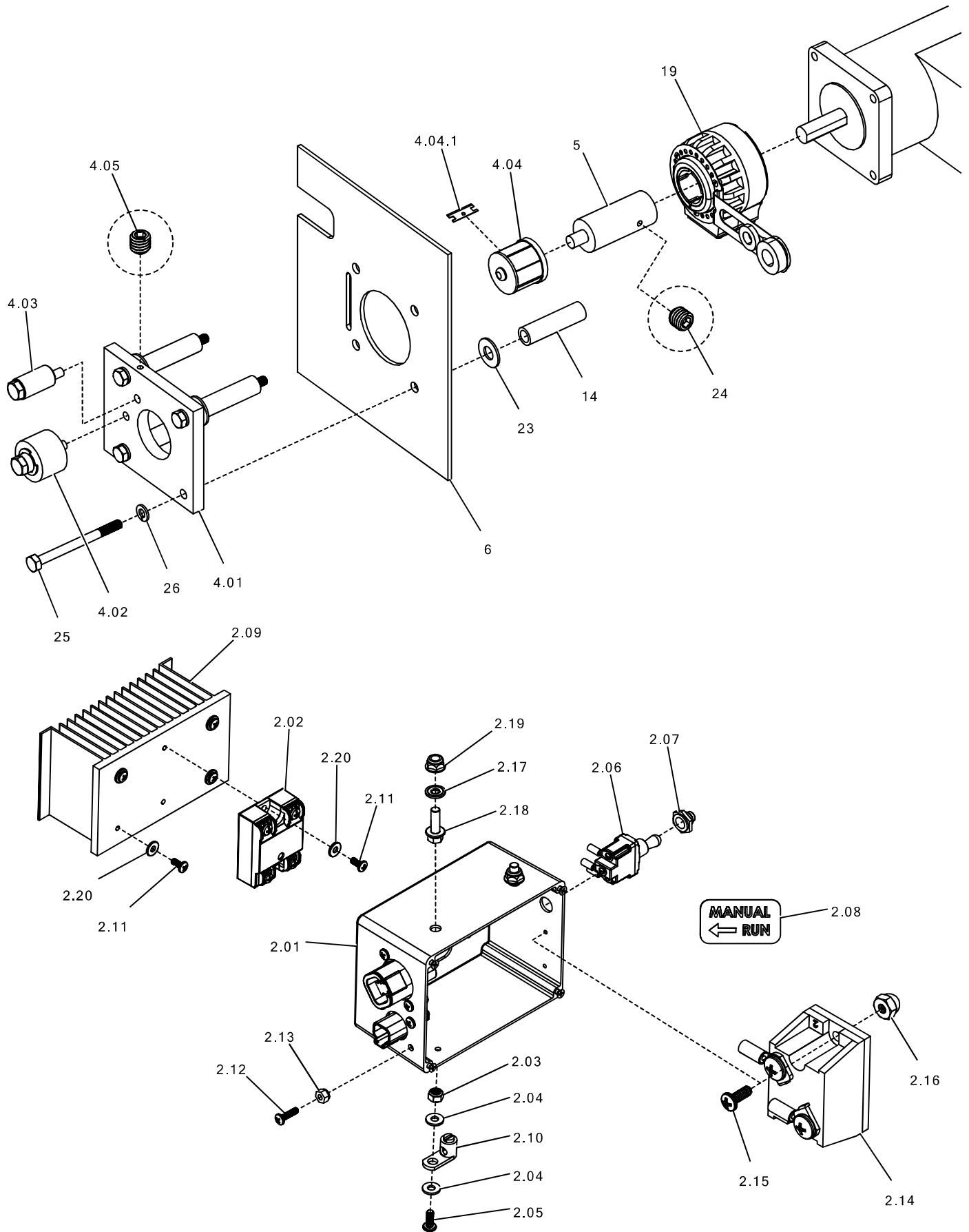


# 8.5.1 – C60 – FIBER CHOPPER ASSEMBLY



# 8.5.1 – C60 – FIBER CHOPPER ASSEMBLY



## 8.5.1 – C60 – FIBER CHOPPER ASSEMBLY

Item	Description	Part Number	Quantity	
			C60	C60E
1	MAIN HOUSING ASSY	2542-474-00	1	1
1.01	MAIN HOUSING	2542-285-01	1	1
1.02	BUSHING	2542-085-06	2	2
*2	DRIVE ENCLOSURE ASSY	2552-249-02	1	1
2.01	ENCLOSURE	2552-249-03	1	1
2.02	RELAY	5504-022-103	1	1
*2.02	THERMAL TRANSFER PAD	5504-022-001	1	1
2.03	LOCK NUT	5337-33201	1	1
2.04	WASHER	5336-145	2	2
2.05	SCREW	5335-320	1	1
2.06	SWITCH	5522-421-001	1	1
2.07	SWITCH BASE	5522-204	1	1
2.08	LABEL	2552-849-00	1	1
2.09	HEAT SINK	5504-022-410	1	1
*2.09	SEALANT FOR HEAT SINK	5721-610-010	1	1
2.10	GROUND LUG	5530-507	1	1
2.11	SCREW	5335-203	6	6
2.12	SCREW	5335-205	6	6
2.13	LOCK NUT	5337-101	6	6
2.14	DIODE	5508-509-005	1	1
2.15	SCREW	5335-120-012	2	2
2.16	ACORN NUT	5337-100-001	2	2
2.17	SEALING WASHER	5310-001-002	2	2
2.18	FLANGE BOLT	5309-006-000	2	2
2.19	FLANGE LOCK NUT	5307-020-000	2	2
2.20	WASHER	5336-144	6	6
2.21	WIRE LOOM	2552-549-02	1	1
3	MOTOR ASSY	2552-349-02	1	1
3.01	MOTOR	5500-505-100	1	1
3.02	WIRELOOM	2552-549-01	1	1
3.03	WIRE NUT	5530-404	2	2
4	CHOPPER HEAD ASSY	2542-127-00	1	1
4.01	PLATE	2542-067-06	1	1
4.02	ROLLER ASSY	5415-007-001	1	1
4.02.1	ROLLER	5415-007-000	1	1
4.03	ROLLER ASSY	5415-006-000	1	1
4.04	CUTTER ASSY	5415-304-000	1	1
4.04.1	BLADE, 12 PACK	5415-300-000	1	1
4.05	SET SCREW	5358-300	2	2

Item	Description	Part Number	Quantity	
			C60	C60E
5	ADAPTER	2542-027-06	1	1
6	GUARD	2542-077-06	1	1
7	ROD	2542-286-01	1	1
8	STOP	2542-082-06	1	1
9	COVER	2542-218-03	1	1
10	COVER	2542-078-06	1	1
11	BRACKET	2542-076-06	2	2
12	COVER	2542-217-03	1	1
13	FEED PIPE	2542-074-06	1	1
14	SPACER	5120-010-00200	4	4
15	FIBER SPOOL	5415-001-000	1	1
16	CLAMP	5370-917	2	2
17	EYELET	2542-475-00	1	1
18	WASHER	5310-000	2	2
19	ENCODER	5508-210-062	1	1
20	SCREW	5335-206-001	4	4
21	WASHER	5336-144	8	8
22	LOCK NUT	5337-101	4	4
23	WASHER	5310-200-001	4	4
24	SET SCREW	5358-300	1	1
25	BOLT	5315-024-001	4	4
26	LOCK WASHER	5305-000-001	4	4
27	FLANGE BOLT	5309-008-000	4	4
28	LATCH	5370-624-000	1	1
29	FLANGE BOLT	5309-006-000	6	6
30	FLANGE LOCK NUT	5307-020-002	7	7
31	FLANGE BOLT	5309-010-000	2	2
32	LATCH ARM	5370-634-000	1	1
33	WASHER	5310-001	6	6
34	LOCK NUT	5337-101-001	2	2
* required along with parent part				
^ if your enclosure does not have a heat sink, purchase the entire assembly				