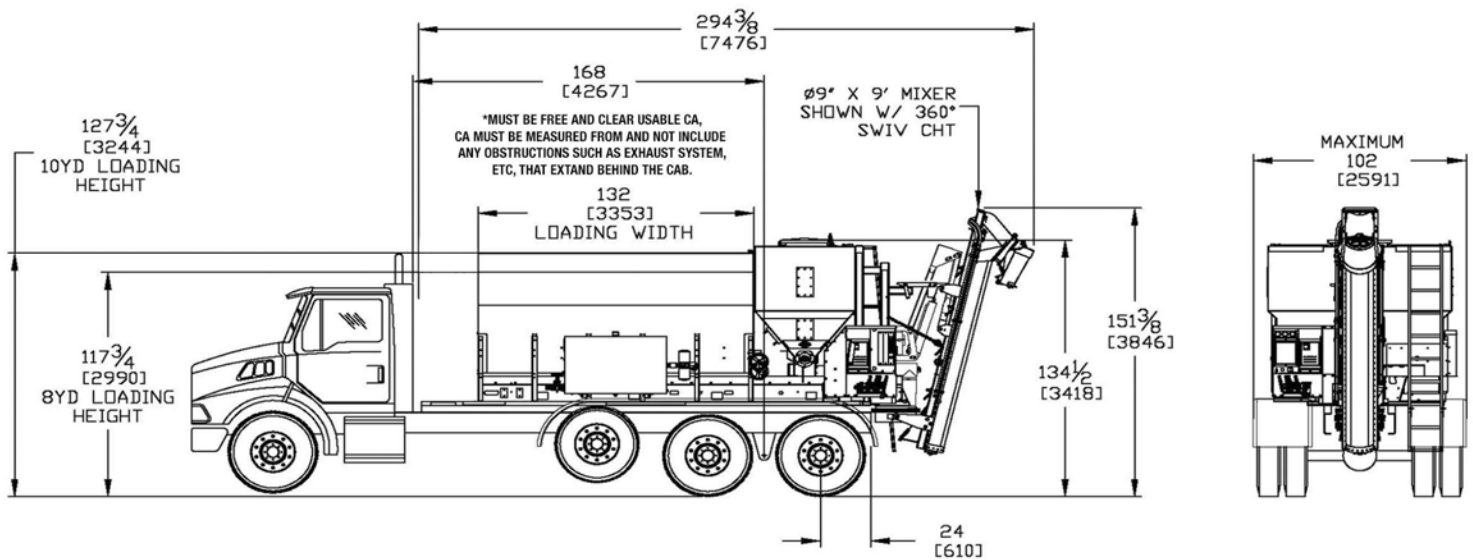


# CONTROL YOUR CONCRETE™

WITH THE G30X CONCRETE MIXER



## 12 Yard Specifications\*

|                                |                              |
|--------------------------------|------------------------------|
| <b>AG-BIN CAPACITY</b>         | 340 cu ft/9.6 m <sup>3</sup> |
| <b>CEMENT BIN CAPACITY</b>     | 115 cu ft/3.26m <sup>3</sup> |
| <b>PRODUCTION CAPACITY</b>     | 12 cu yd/9.18m <sup>3</sup>  |
| <b>PRODUCTION RATE</b>         | 30 yd/hr/22.94 m/hr          |
| <b>MIXER DIAMETER</b>          | 9 inches/.23 meters          |
| <b>MIXER SPEED (MAX)</b>       | 330 RPM                      |
| <b>HYDRAULIC TANK CAPACITY</b> | 55 Gal/208 L                 |
| <b>CONVEYOR SPEED (MAX)</b>    | 40 RPM                       |
| <b>SWIVEL</b>                  | 149 Degrees                  |

\*Specifications provided are approximations  
\*Standard unit color is white

## ADDITIONAL FEATURES

- Red Lion Digital Counter
- Dual Auger Cement Metering
- Chain Oiler
- Mixer Diaper Hooks
- Heavy Hitter Sand & Stone Vibrators
- Two Cement Vibrators
- Single Aggregate Bin
- Specialized Gunite 9'x9" Mix Auger