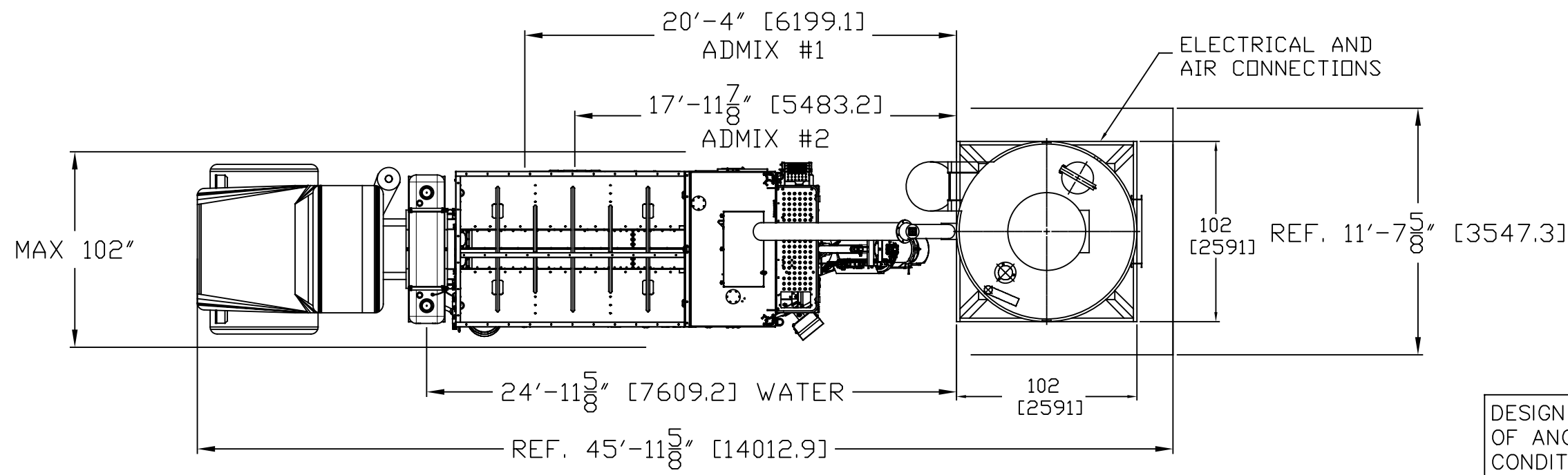


REV	DRAWING CHANGE RECORD	DATE & INITIAL
N/C	FIRST RELEASE PER CONTRACT No. _____	-/-/-
A		-/-/-
B		-/-/-

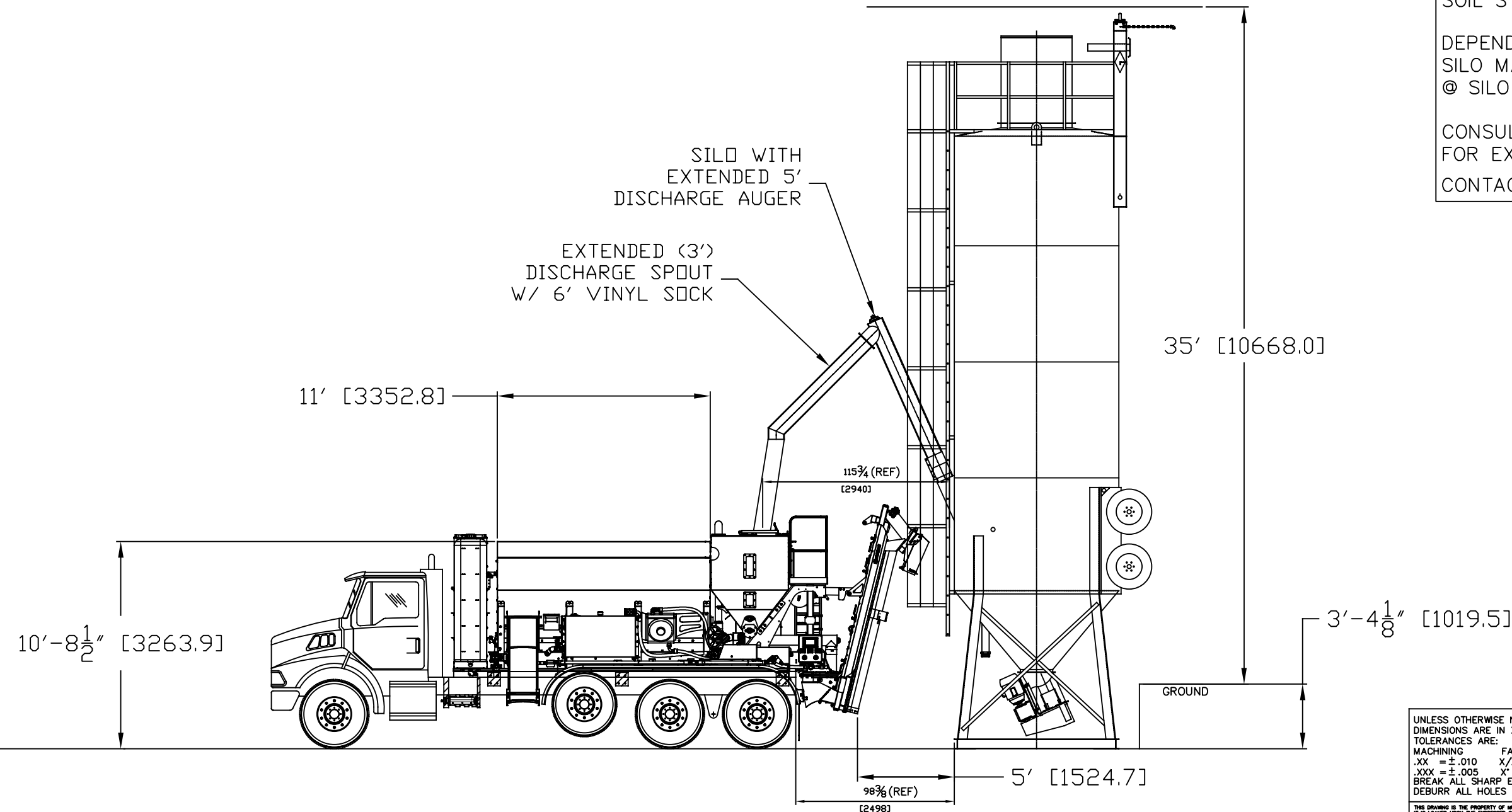


DESIGN OF CONCRETE PAD & METHOD OF ANCHORING WILL DEPEND ON LOCAL CONDITIONS SUCH AS WIND LOAD, SOIL STABILITY, ETC.


DEPENDING ON SOIL CONDITIONS, SILO MAY REQUIRE FOOTINGS @ SILO SUPPORT LOCATIONS.

CONSULT YOUR LOCAL ENGINEER FOR EXACT CONCRETE PAD DESIGN.

CONTACT CTI FOR OPTIONAL TIE DOWN KIT



UNLESS OTHERWISE NOTED ALL DIMENSIONS ARE IN X"-X"  
 TOLERANCES ARE:  
 MACHINING .XX = ±.010 X/X = ±1/32"  
 .XXX = ±.005 X' = ± 1'  
 BREAK ALL SHARP EDGES  
 DEBURR ALL HOLES

 1700 North 14th Street Indianola, Iowa 50125		APPROVED BY:	DRWIN BY MAW
		SCALE N/A	REVISED
DATE: 9/25/2018	WORK STATION:	DRV:DIRVFILE	
C60 WITH 350P SILO W/ EXT AUGER		DRAWING NUMBER	REV LTR
C60	-		N/C