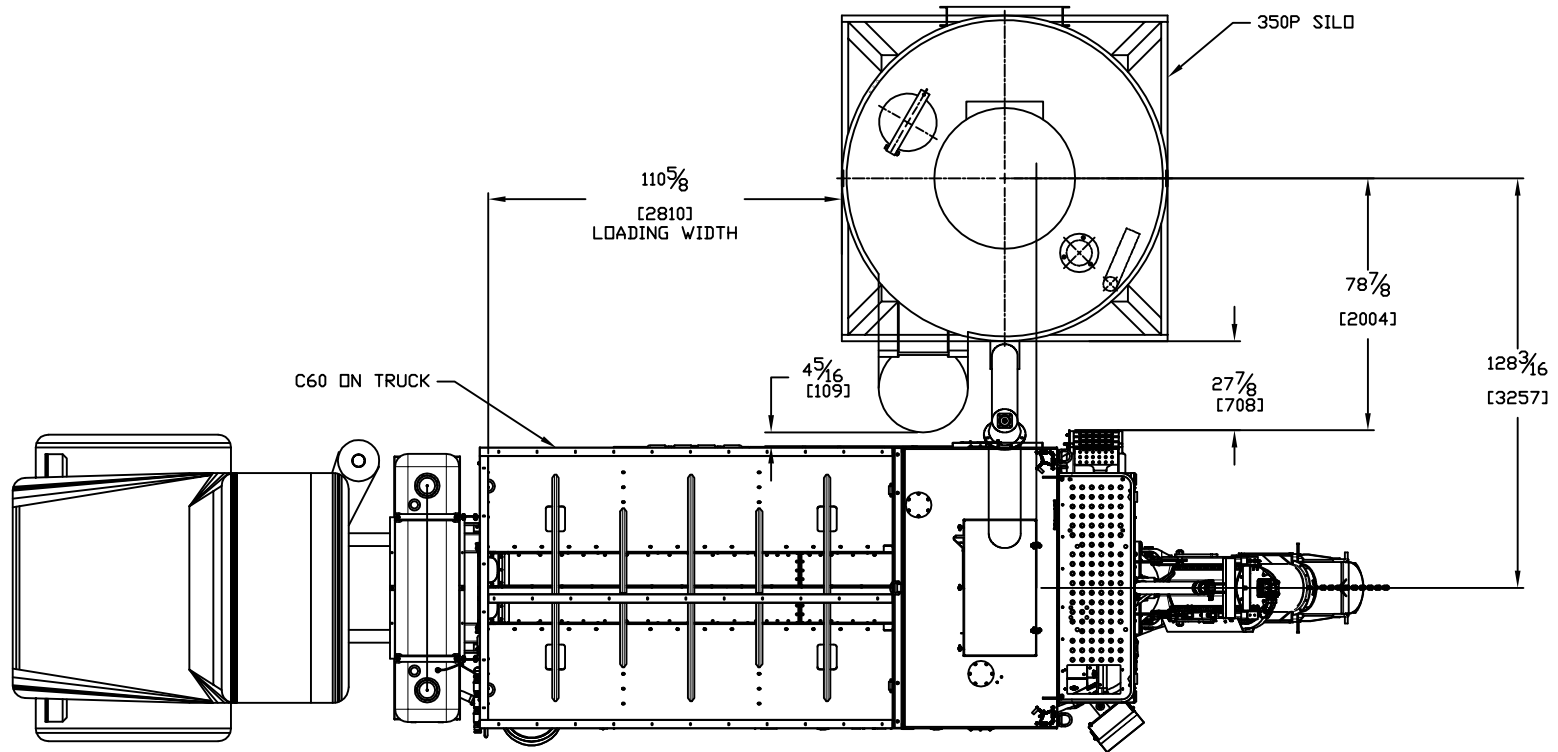



REV	DRAWING CHANGE RECORD	DATE & INITIAL
N/C	FIRST RELEASE PER CONTRACT No.	-/-
A		-/-
B		-/-



"APPROVED FOR CONSTRUCTION"  
 APPROVED BY: \_\_\_\_\_  
 DATE: \_\_\_\_\_

<small>UNLESS OTHERWISE NOTED ALL TOLERANCES ARE IN "X"-X"          MACHINING FABRICATION          .XX = ±.010 X/X = ±1/32"          .XXX = ±.005 "X" = ±.1"          BREAK ALL SHARP EDGES          DEBURR ALL HOLES</small>	 1700 North 14th Street, Indianapolis, IN 46215	
	<small>SCALE N/A</small> <small>DATE: 10/03/2018</small>	<small>APPROVED BY:</small> <small>WORKSHEET:</small>
<small>USED ON</small> C60	<small>DRAWING NUMBER</small> -	<small>REV OR N/C</small> N/C