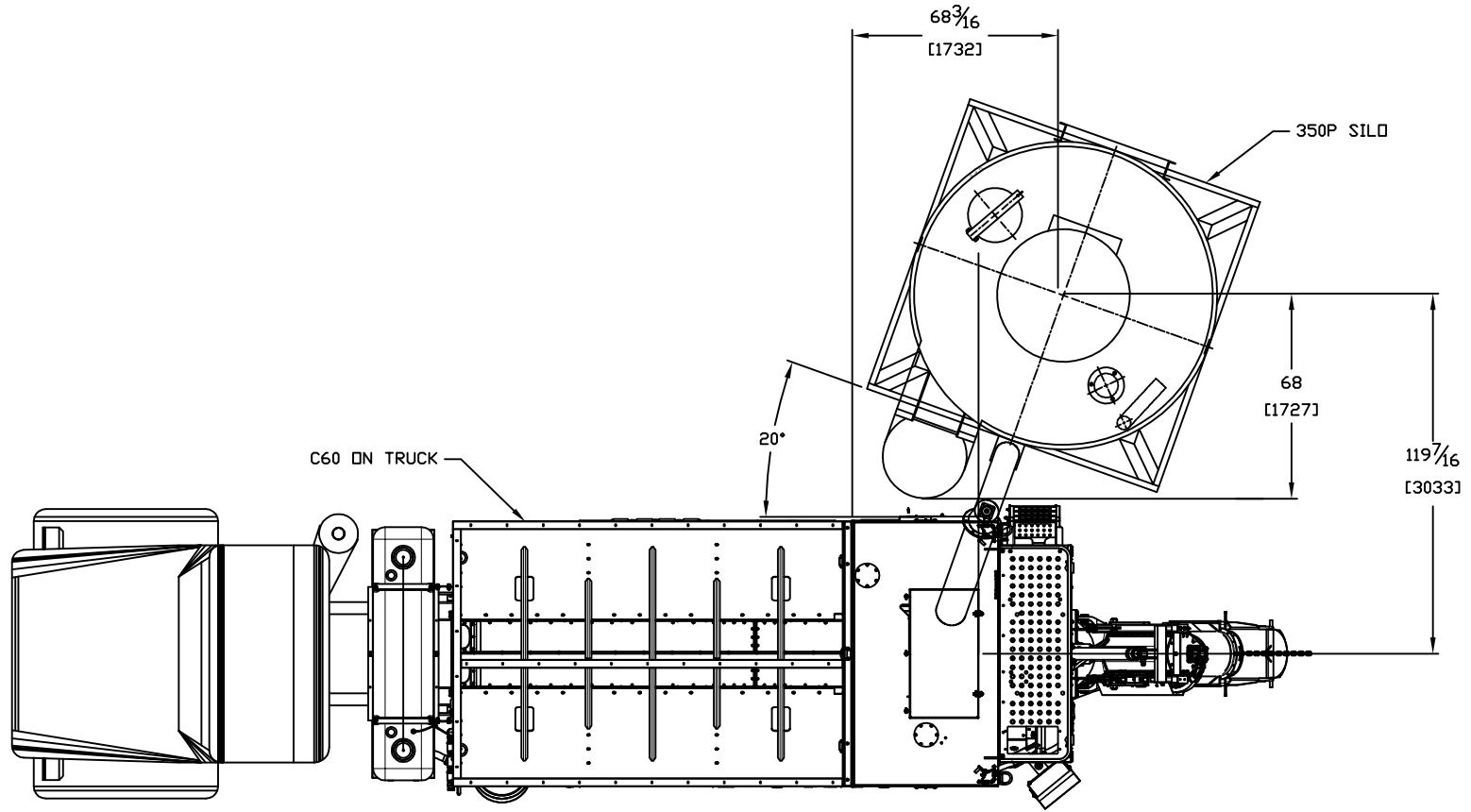



REV	DRAWING CHANGE RECORD	DATE & INITIAL
N/C	FIRST RELEASE PER CONTRACT No.	-/-
A		-/-
B		-/-



"APPROVED FOR CONSTRUCTION"  
 APPROVED BY: \_\_\_\_\_  
 DATE: \_\_\_\_\_

<small>UNLESS OTHERWISE NOTED ALL DIMENSIONS ARE IN X"-X"          TOLERANCES ARE:          MACHINING      FABRICATION          .XX = ±.010      1/4" = ±1/32"          .XXX = ±.005      X" = ±.1"          BREAK ALL SHARP EDGES          DEBURR ALL HOLES</small>	 <small>1700 North 14th Street    Indianapolis, Iowa 50125</small>	
	SCALE: N/A	APPROVED BY: _____
	DWG: 5/01/2018	DESIGNER: _____
	REV: 3/18/VFLD	DATE: _____
<b>C60 with 350P Silo</b>		REV OR N/C
USED ON: C60	DRAWING NUMBER: -	REV OR N/C: N/C