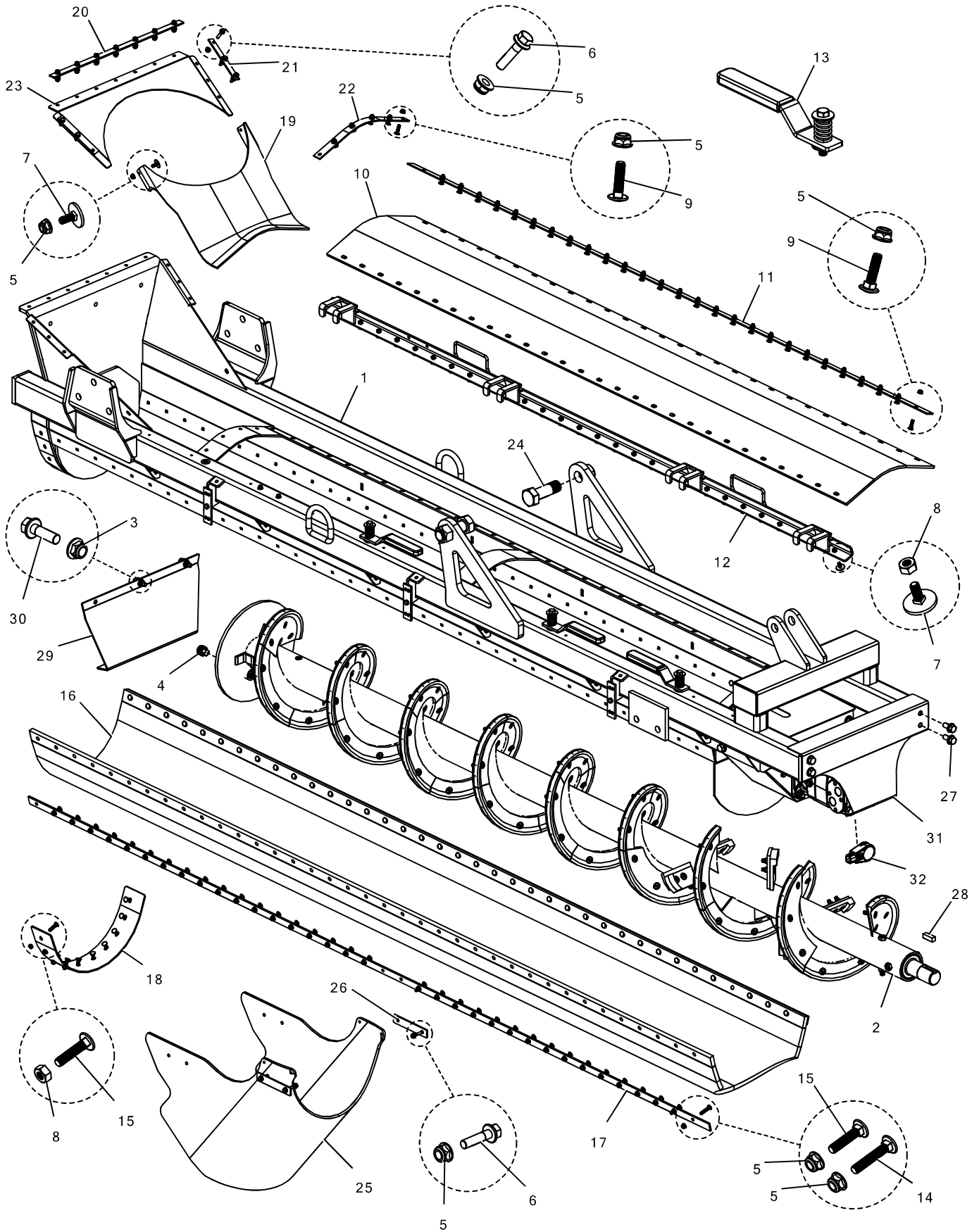


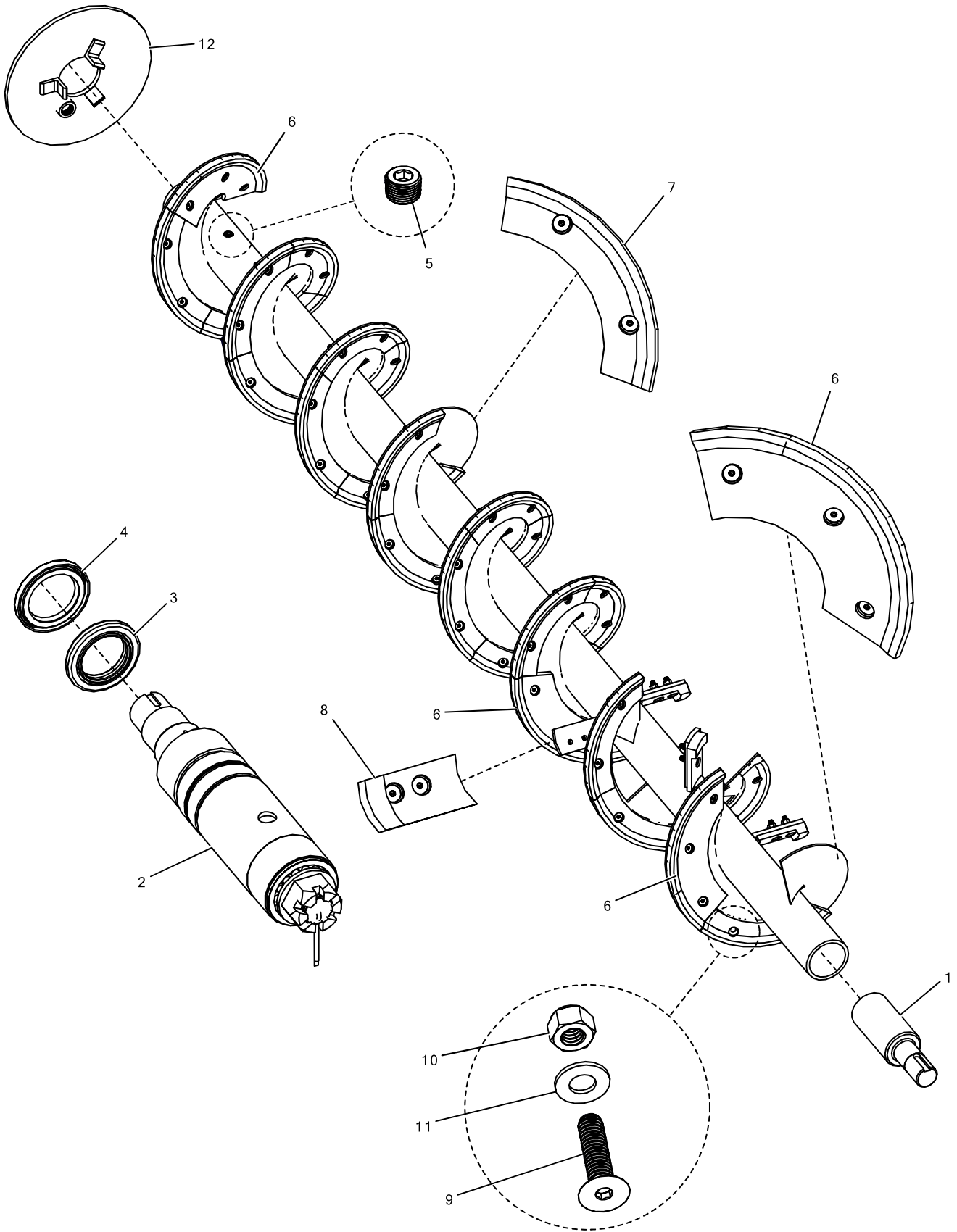
# 4.2.1 – C60 – MIXER ASSEMBLY



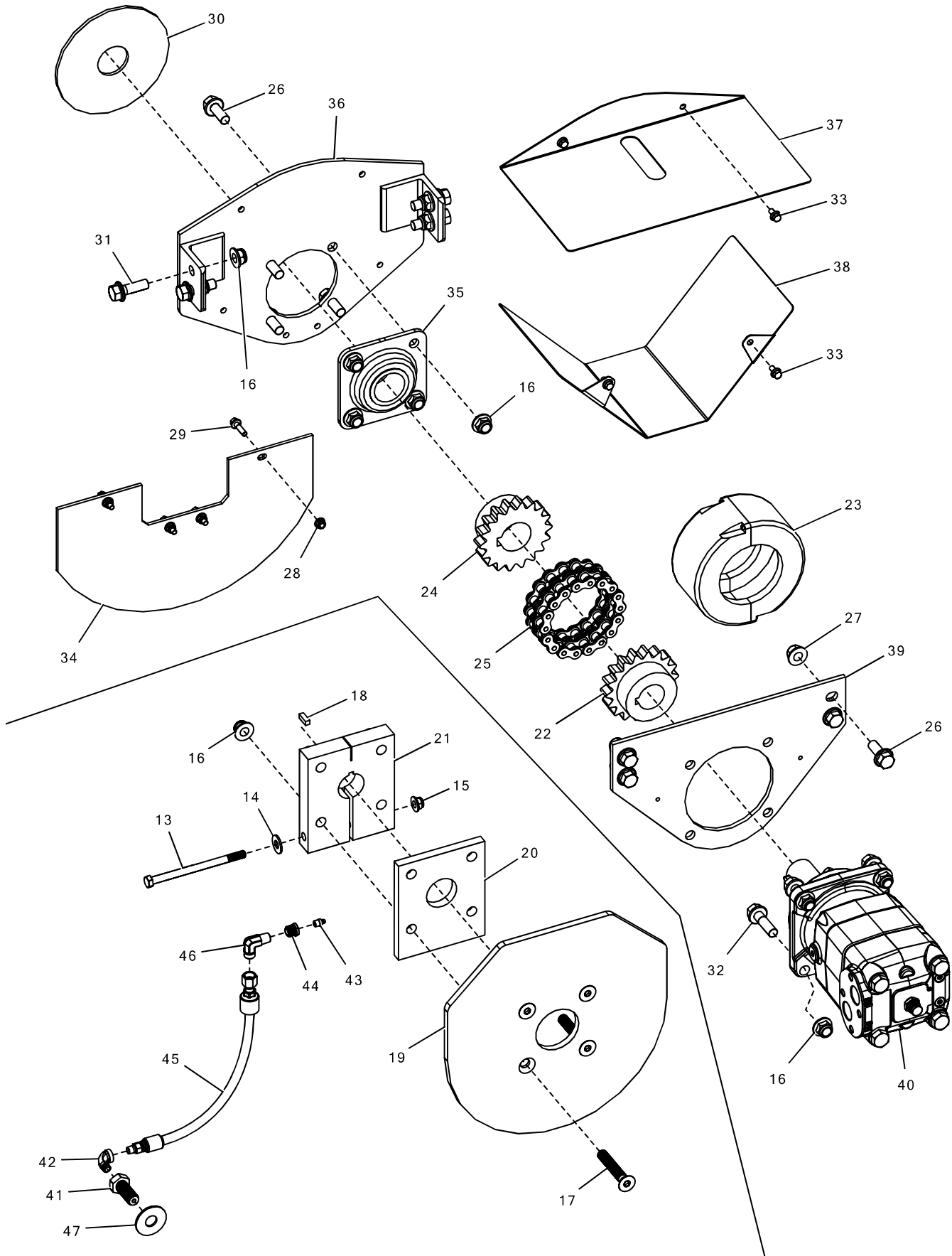
## 4.2.1 – C60 – MIXER ASSEMBLY

Item	Description	Part Number	Quantity	
			C60	C60E
1	MIXER FRAME			
	FRAME, 360	2542-213-03	1	1
	FRAME, DUAL RAM	2542-214-03	1	1
2	MIXER AUGER	1604-250-01	1	1
3	FLANGE LOCK NUT	5307-216-000	3	3
4	PLUG	5005-140	1	1
5	FLANGE LOCK NUT	5307-020-000	125	125
6	FLANGE BOLT	5309-008-000	17	17
7	ELEVATOR BOLT	5350-006	30	30
8	NUT	5300-020	40	40
9	CARRIAGE BOLT	5325-008	34	34
10	TOP BOOT	2542-083-03	1	1
11	RETAINER	2542-082-03	1	1
12	LATCH RAIL	2542-207-01	1	1
13	LATCH	2542-406-00	4	4
14	CARRIAGE BOLT, LONG	5325-012	8	8
15	CARRIAGE BOLT, SHORT	5325-010	76	76
16	BOTTOM BOOT	1752-063-00	1	1
17	RETAINER	1731-006-00	2	2
18	RETAINER	2542-019-04	1	1
19	HOPPER GUARD, BTM	1752-015-00	1	1
20	RETAINER	1548-005	1	1
21	RETAINER	1548-006	2	2
22	RETAINER	1752-020-00	1	1
23	HOPPER GUARD, TOP	2542-089-03	1	1
24	BOLT	2050-014-04	2	2
25	DISCHARGE BOOT			
	BOOT, 360 SWIVEL	2542-050-05	1	1
	BOOT, DUAL RAM	2542-053-05	1	1
26	RETAINER	1731-045-00	2	2
27	FLANGE BOLT	5309-408-000	8	8
28	KEYSTOCK	5375-005-00150	1	1
29	DEFLECTOR	1752-008-02	1	1
30	FLANGE BOLT	5309-210-000	3	3
31	SHIELD	2542-033-08	1	1
32	ENCODER	5508-202-000	1	1

## 4.2.1.1 – C60 – MIXER AUGER, IDLER, AND DRIVE ENDS



# 4.2.1.1 – C60 – MIXER AUGER, IDLER, AND DRIVE ENDS



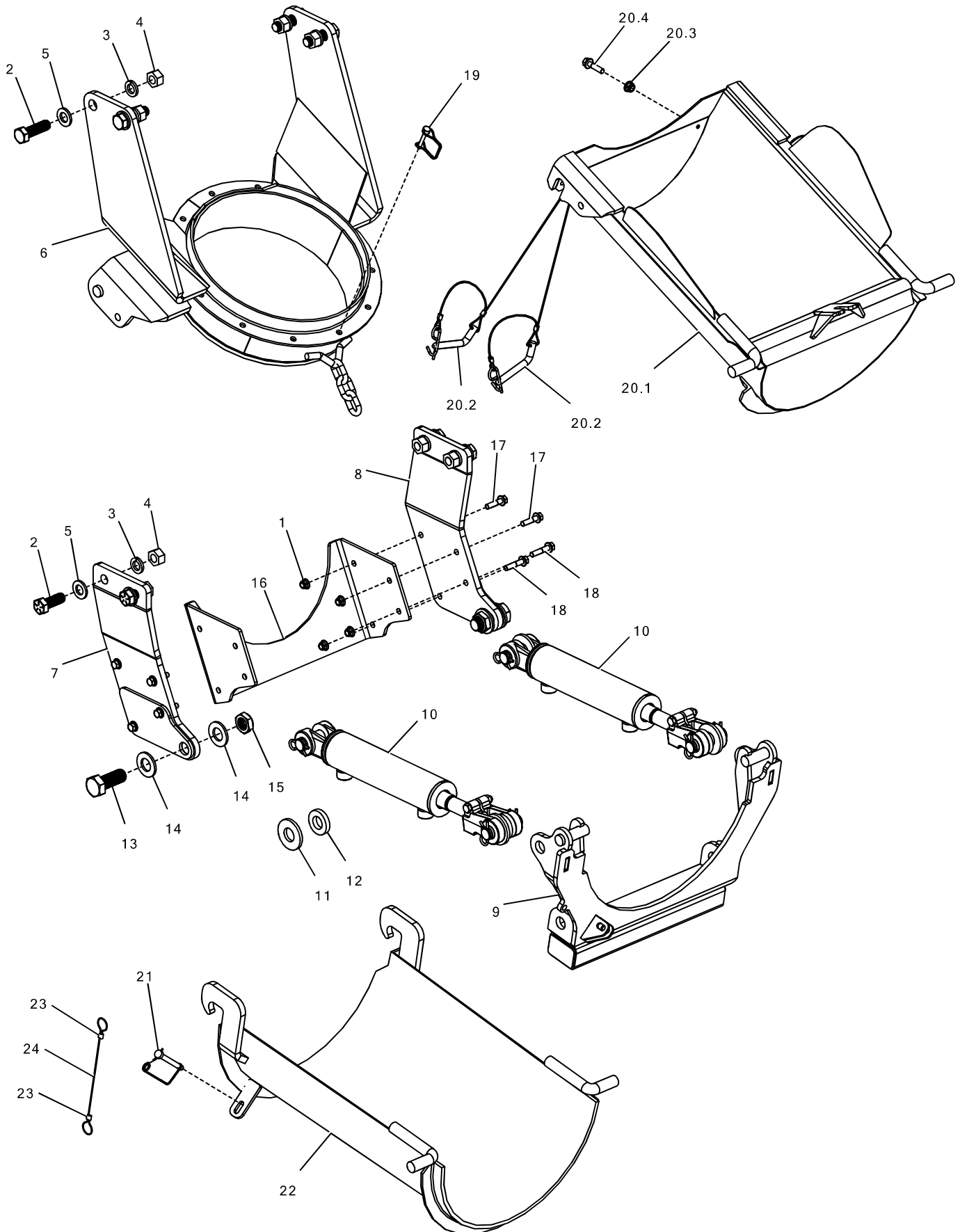
## 4.2.1.1 – C60 – MIXER AUGER, IDLER, AND DRIVE ENDS

Item	Description	Part Number	Quantity	
			C60	C60E
1	DRIVE SHAFT, WELD ON	1562-026-01	1	1
2	IBS SHAFT	2050-452-00	1	1
3	IBS SEAL, INNER	5160-232	1	1
4	IBS SEAL, OUTER	5160-232001	1	1
5	PLUG	5005-123	3	3
6	WEAR PLATE, 3 HOLE	0234-001	4	4
7	WEAR PLATE, 2 HOLE	0234-002	22	22
8	WEAR PLATE, PADDLE	0234-003	5	5
9	BOLT	5320-110	66	66
10	LOCK NUT	5302-118	66	66
11	WASHER	5311-100	66	66
12	WEAR PLATE & ANGLE, WELD ON	1562-283-00	1	1
13	BOLT	5315-237-000	1	1
14	WASHER	5310-200	1	1
15	FLANGE LOCK NUT	5307-216-000	1	1
16	FLANGE LOCK NUT	5307-413-000	16	16
17	BOLT	5330-424-000	4	4
18	KEYSTOCK	5375-002-00075	1	1
19	END PLATE	2050-039-00	1	1
20	IBS SEAL BLOCK	2050-043-00	1	1
21	IBS BACK PLATE	2050-042-00	1	1
22	COUPLING HUB, 1 1/2"	5195-332	1	1
23	CHAIN COVER	5195-308	1	1
24	COUPLING HUB, 1 3/4"	5195-336	1	1
25	CHAIN COUPLING	5195-320	1	1
26	FLANGE BOLT	5309-410-000	8	8
27	FLANGE LOCK NUT	5307-413-002	4	4
28	FLANGE LOCK NUT	5307-020-000	4	4
29	FLANGE BOLT	5309-008-000	4	4
30	SLINGER	1731-035	1	1
31	FLANGE BOLT	5309-412-000	4	4
32	FLANGE BOLT	5309-414-000	4	4
33	FLANGE BOLT	5309-004-000	4	4
34	DISCHARGE FLAP	1752-006-01	1	1
35	BEARING	5150-628	1	1
36	BEARING MOUNT	2542-204-01	1	1
37	TOP COVER	2542-074-03	1	1
38	BOTTOM COVER	2542-075-03	1	1
39	MOTOR MOUNT	2542-084-03	1	1
40	MOTOR	5233-700-000	1	1
41	BOLT	2542-031-04	1	1
42	ELBOW	5003-100.10	1	1
43	GREASE ZERK	5372-001	1	1
44	REDUCER	5010-112.10	1	1
45	HYD HOSE ASSY	2542-544-00	1	1
46	ELBOW	5223-044-001	1	1
47	WASHER	5310-600	1	1

## *4.2.1.1 – C60 – MIXER AUGER, IDLER, AND DRIVE ENDS*

---

## 4.2.2 – C60 – MIXER DISCHARGE CHUTES



## 4.2.2 – C60 – MIXER DISCHARGE CHUTES

Item	Description	Part Number	Quantity	
			C60	C60E
1	FLANGE LOCK NUT	5307-216-000	8	8
2	BOLT	5315-720B	8	8
3	LOCK WASHER	5305-700	8	8
4	NUT	5300-710B	8	8
5	WASHER	5310-602-000	8	8
6	360 SWIVEL	2542-214-01	1	1
7	EAR, RH	2542-282-01	1	1
8	EAR, LH	2542-283-01	1	1
9	CHUTE MOUNT	2542-209-01	1	1
10	CYLINDER	GPCS10927	2	2
11	CYL WASHER	1521-055	4	4
12	CYL SPACER	2542-097-03	4	4
13	BOLT	5315-820	2	2
14	WASHER	5310-800-002	4	4
15	NUT	5304-808-000	2	2
16	BRACE	2542-066-05	1	1
17	FLANGE BOLT	5309-212-000	4	4
18	FLANGE BOLT	5309-214-000	4	4
19	LOCK PIN	5377-654	2	2
20	CHUTE	1521-405-00	1	1
20.1	CHUTE, 360	1521-281-00	1	1
20.2	PIN & TETHER	1521-403-00	4	4
20.3	FLANGE LOCK NUT	5307-020-000	2	2
20.4	FLANGE BOLT	5309-008-000	2	2
21	LOCK PIN	5377-660-000	1	1
22	CHUTE	2542-208-01	1	1
23	CABLE SLEEVE	5612-016	2	2
24	CABLE	5610-016-01600	1	1